



SUBMITTAL DATA

GWH24ATEXF-D3DNA1E/I / GWH24QEXF-D3DNC4C/O
24000 BTU/H Wall Mounted Heat Pump System

Job Name

Location

Date

Purchaser

Engineer

Submitted to

For

Unit Designation

Schedule No.



YAP1F7F



GWH24ATEXF-D3DNA1E/



GWH24QEXF-D3DNC4C/O



XE71 (Optional)

GENERAL FEATURES

- AHRI Certificate: [209248932](#)
- High Efficiency DC Inverter Technology
- Compact and Quiet Design
- Wireless Remote with LCD Display
- Wired Controller Options
- 10 Years Unlimited Parts Warranty
- Wi-Fi Included
- Low Ambient Cooling down to 0°F (Range 0°F to 115°F)
- Low Ambient Heating down to -13°F (Range -13°F to 75°F)
- Coil (Indoor and Outdoor) Copper Tube / Aluminum Fin
- Blue Colored Fin - 500 Hrs Salt Spray Tested

SPECIFICATIONS, FEATURES & FUNCTION SUMMARY

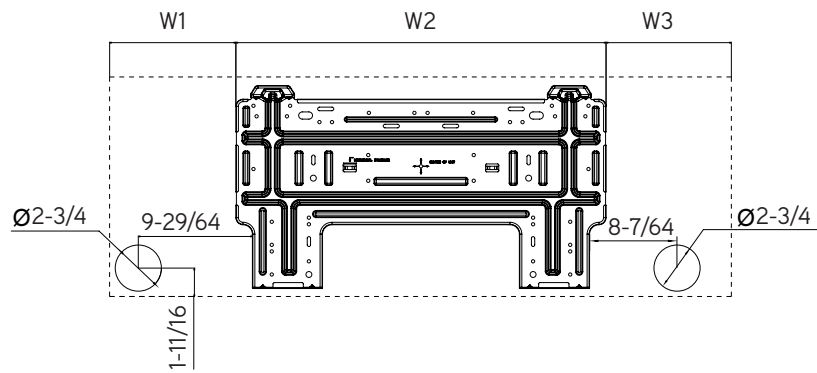
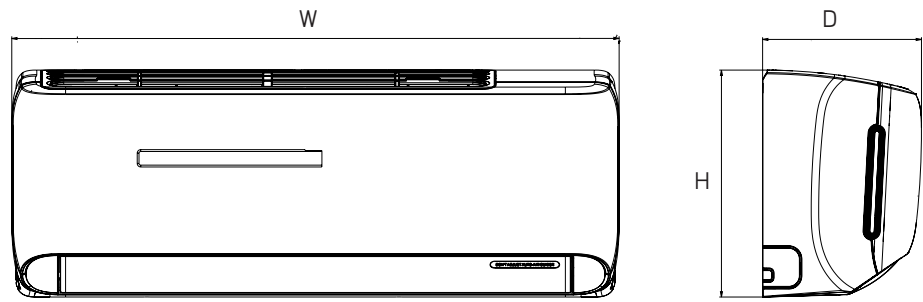
SPECIFICATIONS		GWH24QEXF-D3DNC4C/O		FEATURES & FUNCTIONS SUMMARY		GWH24QEXF-D3DNC4C/O	
System Type		HEAT PUMP					
SYSTEM PERFORMANCE							
Cooling	Min - Max	Btu/h	6824 - 25249				
	Capacity @95°F	Btu/h	22000				
Heating	Min - Max	Btu/h	5971 - 27296				
	Capacity @5°F	Btu/h					
	Capacity @17°F	Btu/h	13900				
	Capacity @47°F	W	24000				
SEER2		18.0					
EER2		11.6					
HSPF/HSPF2		10/8.5					
COP @5°F		3.4					
COP @47°F							
Cooling Temperature Range		°F	0 - 122				
Heating Temperature Range		°F	-13 - 75				
Refrigerant Type		R410A					
INDOOR UNIT				GWH24ATEXF-D3DNA1E/I			
Air flow (Min-Max)		CFM	412 - 677				
Sound Pressure Level (Min - Max)		dB(A)	36 - 51				
Dehumidification		pt/hr	5.28				
External Dimensions (WxHxD)		in	42-7/16 x 13-1/8 x 9-11/16				
Package Dimension (W x H x D)		in	44-5/8 x 16-5/16 x 13-1/8				
Net Weight		lbs	33.1				
Gross Weight		lbs	39.7				
OUTDOOR UNIT				GWH24QEXF-D3DNC4C/O			
Compressor Type		GREE G-10 / 2 - STAGE INVERTER					
Sound Pressure Level		dB(A)	57				
External Dimensions (W x H x D)		in	37-3/4 x 26 x 15-7/8				
Package Dimension (W x H x D)		in	40-5/8 x 29-1/16 x 17-15/16				
Net Weight		lbs	97.0				
Gross Weight		lbs	106.9				
REFRIGERANT PIPING							
Refrigerant Charge - R410A		oz	52.9				
Additional Charge		oz/ft	0.5				
Line Set Size (Liquid - Gas) - Flared Connections		in	1/4 - 5/8				
Pre-Charge Length		ft	25				
Pipe Length (Min - Max)		ft	10 - 82				
Max. Pipe Elevation		ft	33				
ELECTRICAL							
Power Supply		208 - 230V / 1Ph /60Hz					
Voltage Range (Min - Max)		VAC	187 - 253				
Rated Current - Cooling		A	12				
Rated Current - Heating		A	12				
MCA		A	15				
MOCP		A	20				
Suggested Breaker Size		A	15				
Main Power Wire Size		AWG	Per Local Code				
Interconnecting Wire Size		AWG	14 / 4				
SYSTEM FEATURES							
Inverter Type		G10					
Ultra Low Frequency Torque Control		Yes					
Power Factor Correction		Yes					
Compressor Type		High Efficiency Rotary					
Refrigerant Type		R410A					
Basepan With Electric Heater		Yes					
Compressor With Electric Heater		Yes					
Outdoor Fin Coating (Color:Blue)		Acrylic-Resin/Anti-Corrosive					
Intelligent Defrosting		Yes					
Force Defrosting		Yes					
Intelligent Preheating		Yes					
Low Voltage Startup		Yes					
Memory/Power Failure Recovery		Yes					
Self Diagnosis		Yes					
Wired Controller Interface (XE71)		Yes					
WiFi Included		Yes					
Indoor Fan Type		Crossflow					
Multi Fan Speeds		4 Speeds					
Indoor Unit Display		Yes					
Auxiliary Electrical Heater		No					
Ventilation (Outdoor Air)		No					
REMOTE CONTROLLER FUNCTIONS							
Auto Mode		Yes					
Auto Fan		Yes					
Manual Horizontal Swing		Yes					
Auto Swing (Vertical Auto Swing)		Yes					
Clock on Remote Controller		Yes					
Dry Mode		Yes					
Dry Anti-Mildew (X-Fan) Mode		Yes					
Energy Saving Mode		Yes					
Dirty Filter Alert		No					
I Feel Function		Yes					
Lock on Remote Controller		Yes					
Quiet Mode		No					
Room Temperature Display		Yes					
Sleep Mode		Yes					
Timer Mode		Yes					
Turbo Mode		Yes					
Display On/Off Control		Yes					
Freeze Guard Mode (46°F)		Yes					
Display On/Off Control		Yes					

DIMENSIONS

INDOOR UNIT

Unit: inch

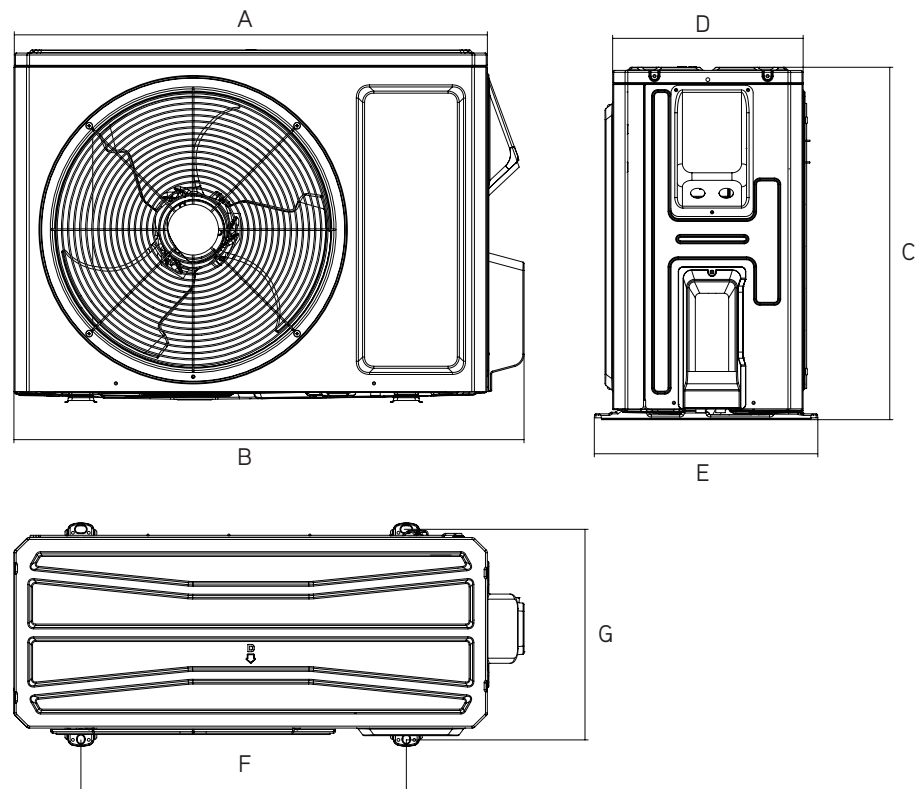
GWH24ATEXF-D3DNA1E/I	
DIMENSIONS	
W	42-7/16
H	13-1/8
D	9-11/16
W1	10-3/16
W2	22-3/32
W3	10-5/32



OUTDOOR UNIT

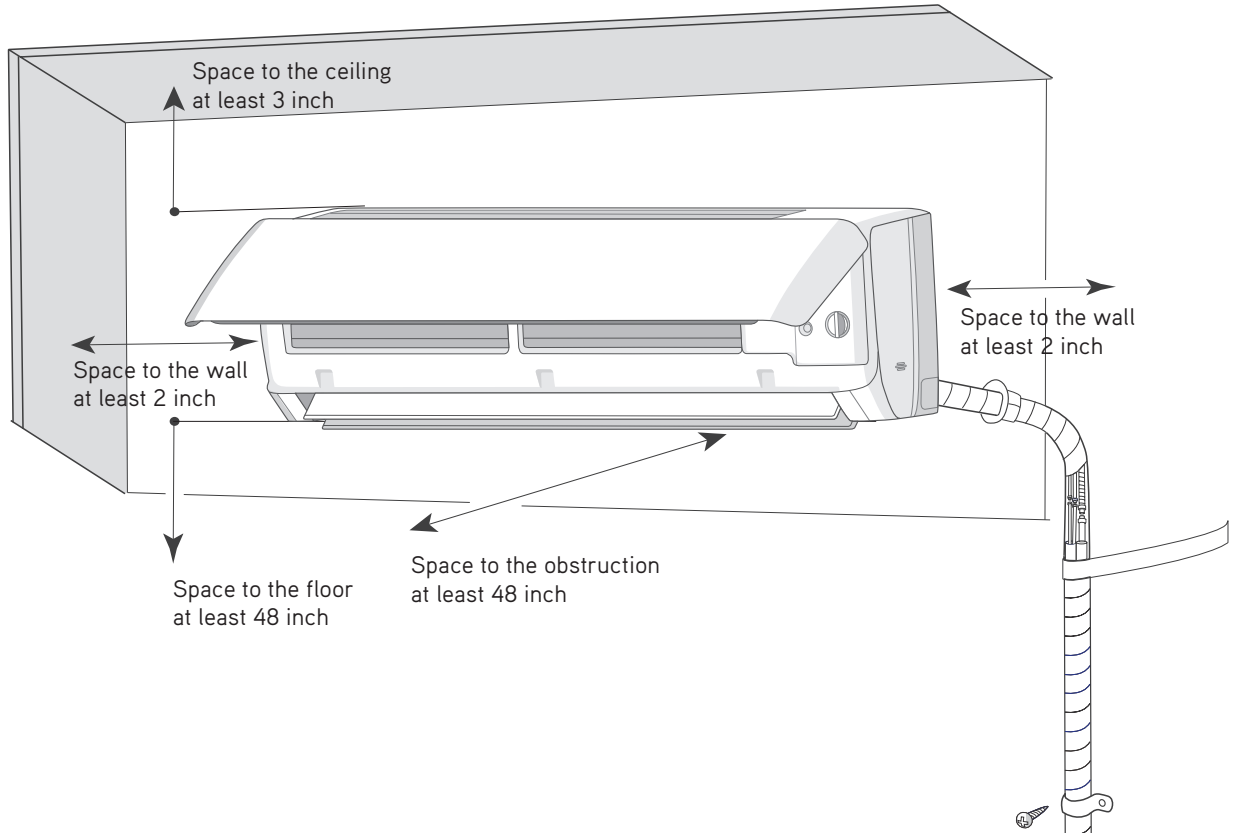
Unit: inch

GWH24QEXF-D3DNC4C/O	
DIMENSIONS	
A	35-25/64
B	37-3/4
C	26
D	13-25/64
E	15-7/8
F	22-13/32
G	14-19/32

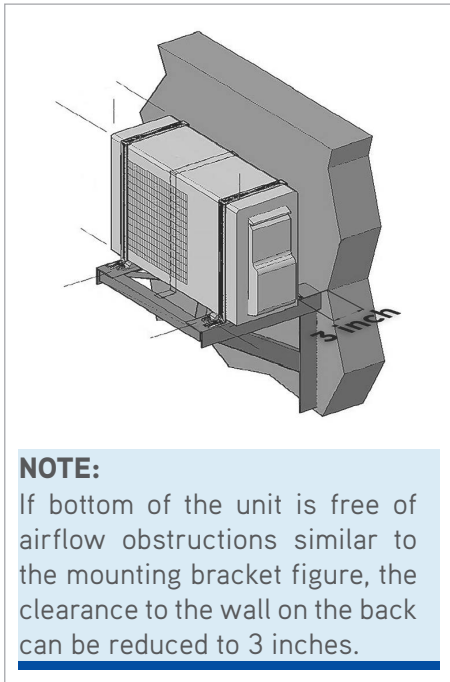


CLEARANCES

INDOOR UNIT Minimum clearance



OUTDOOR UNIT Minimum clearance



NOTE:

If bottom of the unit is free of airflow obstructions similar to the mounting bracket figure, the clearance to the wall on the back can be reduced to 3 inches.

